

INTERNATIONAL TRUCK SPECIALTY CENTERS

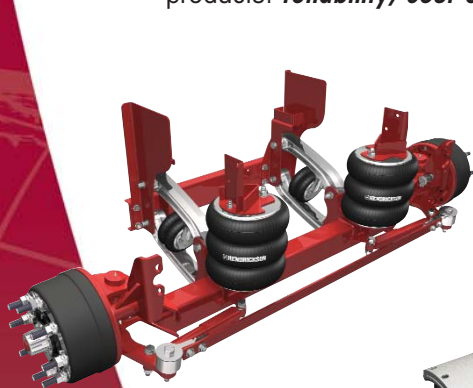


A NAVISTAR COMPANY

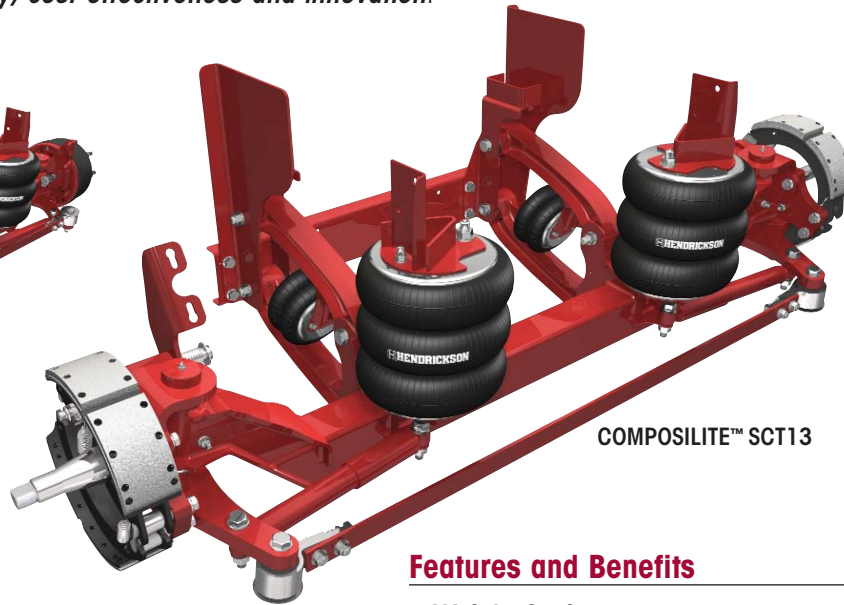
Hendrickson, the world's leading supplier of suspension and axle systems, announces a new program for Truck Specialty Centers. With this new program will be the benefit of preferred pricing-making Truck Specialty Centers more competitive. In addition, you will receive access to Hendrickson's exclusive line of new axles.

Introducing the **COMPOSILITE™ SC**

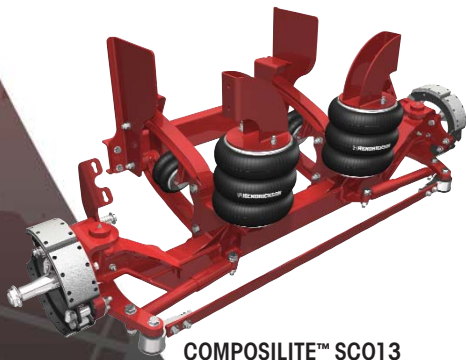
Hendrickson introduces the COMPOSILITE™ SC family of lift axles for steerable applications. The "Steerable Compliant" series of lift axles delivers all the advantages haulers have come to expect with Hendrickson products: *reliability, cost-effectiveness and innovation.*



COMPOSILITE™ SCT10



COMPOSILITE™ SCT13



COMPOSILITE™ SC013

Features and Benefits

- **Weight Savings**
 - SC 10K — 675 pounds
 - SC 13K — 796 pounds
 - SC 20K — 1,340 pounds
- **Package Space**
 - SCT10 and 13K – front hanger to spindle – 22.1 inch
- **Wheel Cut**
 - SCT10 and 13K – turning radius 31 degrees
- **CTR Package with PerfectTrak™ Technology**
 - 3-year limited warranty package

Capacities – Currently Available

- 10,000 to 20,000 pounds

For additional information, call **1.800.660.2829**
or visit our web site at www.hendrickson-intl.com.

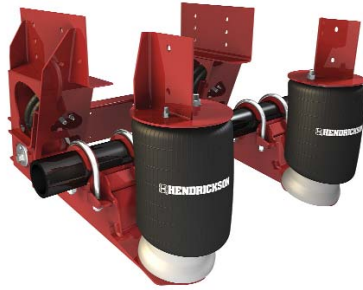
 **HENDRICKSON**
The World Rides On Us®



HLM-2™ Series

Wide range of ride heights for both truck and trailer applications

- In-line Air Spring
- Adjustable Frame Width Feature
- Adjustable Ride Height
- 31-Degree Wheel Cut Design
- Up to 25K Capacity



COMPOSILITE™ FX

Big performance in a compact, lightweight design

- Lightweight Axle — Same Components as SC
- In-line Air Springs
- Parallelogram Beam Design
- Up to 13.5K Capacity



Axle Pricing Information

Part	Type	Description	Capacity	List Pricing
HLM™	Non Steerable, Pre-plumbed	6-Inch Drop Axle	20K /25K	\$7,927
HLM™	Non Steerable, Pre-plumbed	8 /9-Inch Drop Axle	20K	\$8,650
COMPOSILITE™ FX	Non Steerable, Pre-plumbed	Any Ride Height	13.5K	\$7,710
HAC-NSI	Non Steerable	Standard Air Kit	N/A	\$378
COMPOSILITE™ SCT	Steerable, Pre-plumbed	Any Ride Height	10K	\$9,108
COMPOSILITE™ SCT	Steerable, Pre-plumbed	Any Ride Height	13.5K	\$9,108
COMPOSILITE™ SCT	Steerable, Pre-plumbed	Any Ride Height	20K	\$10,843
HAC-SSI	Steerable	Standard Air Kit	N/A	\$454
HAC-UCO	Universal	Outside Cab Air Kit	N/A	\$650
HAC-MSO	Universal	Maryland Specification Air Kit	N/A	\$750

- Other HAC air controls available upon request
- Please contact TSC for your discounted pricing off List

www.hendrickson-intl.com



Auxiliary Axle Systems
277 North High Street
Hebron, OH 43025 USA
740.929.5600
Fax 740.929.5601

Auxiliary Axle Systems
250 Chrysler Drive, Unit #3
Brampton, ON L6S 6B6 Canada
905.789.1030
Fax 905.789.1033

